



TOSCANA
WALL-MOUNTED | CHIMNEY



ARIETTA

Toscana with its super sleek hood design that's only 2" high is the perfect complement to modern kitchen designs that often feature futuristic products with sharp architectural lines. Available in 30" or 36" widths, Toscana features High-tech LCD controls which manage multiple functions, including LED lighting, 3 speed blower, plus automatically turns on under high heat and even has a sensor that tells you when to clean your dishwasher-safe anodized aluminum mesh filters. Toscana features a telescopic chimney for up to 9' ceilings and also has an available extension for taller kitchens. Designed for standard ducted installation, Toscana can also be installed as a recirculating system using the Recirculating Kit, available as an accessory.



2 LED Lamps



Touch Controls with LCD Display



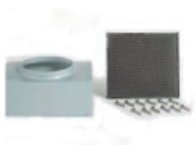
Dishwasher-Safe Anodized Aluminum Filters

	MODELS	DIMENSIONS
ATS430SSA	Toscana 30" Stainless	(30"W x 19 5/8"D x 1 9/16"H)
ATS436SSA	Toscana 36" Stainless	(36"W x 19 5/8"D x 1 9/16"H)

Features

Size (in) & Type	30" or 36" Wide, Wall-Mounted, Chimney Hood
Finish	Stainless Steel
Controls	Touch Controls with LCD Display
Illumination	2 LED lamps (700 mA & 2.1 W per lamp)
Installation Type	Ducted or Recirculating Installation (Recirculating Kit Sold Separately)
Blower Performance	400 CFM, 3 – Speed Internal Speed 1 - 160 CFM - 0.6 Sones Speed 2 - 280 CFM - 1.8 Sones Speed 3 - 400 CFM - 5.1 Sones
Telescopic Chimney Extension	For heights 6'9" to 8'10" (Ducted) For heights 7'1" to 9'2" (Recirculating)
Filter Type	Dishwasher-Safe, Anodized Aluminum Mesh (2 w/ 30", 3 w/ 36" Unit)
Duct Transition	6" (Round, Top)
Electrical	120 V – 60 Hz 265 Watt at 2.2 Amps

Accessories



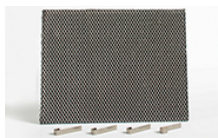
Recirculating Kit 6"
CODE: KIT0102875



No Return Valve
6" Round
CODE: KIT0102873



Long Chimney Extension Kit
Reaches 7'5" - 10'5" (ducted)
Reaches 7'9" - 10'9" (recirculating)
CODE: KIT01935



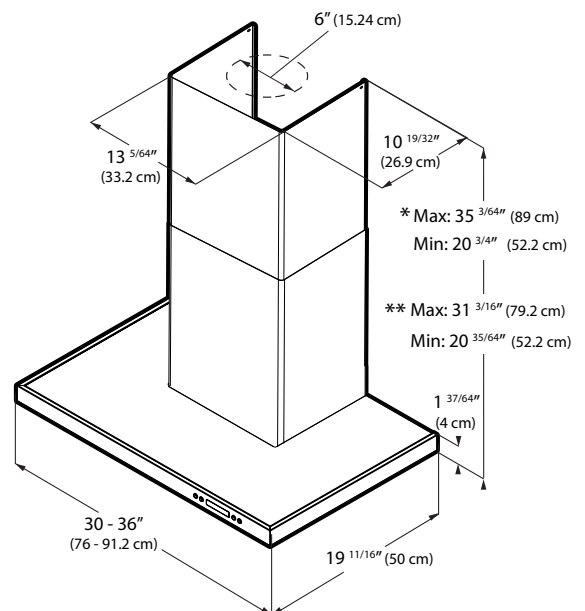
CFM Reduction Kit
CODE: KIT02748



Replacement Aluminum
Mesh Grease Filter (Qty 1)
CODE: KIT01668

Replacement Carbon
Filter KIT (Qty 1 Filter)
CODE: KIT01658

Product Dimensions



*For non-vented (recirculating installations)

**For vented installations